

EXP 12,000-8,000

Superwinch's new flagship winch series: the EXP. Designed from the ground up, using Superwinch's more than 5 decades of winching know-how, the EXP is the future of winching.

Faster than the competition, the EXP Series packs industry-leading innovation. Things like waterproof electronics potted in compound. And advances like winch health notifications that buzz handheld remotes (wired or wireless). These are innovations you'll notice on your first EXP winching experience and they make all the difference in the world.

Superwinch EXP Series Stand Out Features:

- Industry's best waterproofing: potted electronics.
- Auto-engage clutch – remote automatically re-engages gearing saving a trip back to the winch.
- Wireless onboard – every EXP features a wireless receiver – the remote is sold as an aftermarket option.
- Sensors watch amp draw and alert users to danger in two ways:
 - Winch health status light on the solenoid box.
 - Tactile handheld remote buzz.
- Auxiliary powerports give you access to your batteries power to run lights or compressor – right from the winch.
- Picatinny Accessory Mount Rails provide a stable platform to mount lights, cameras and more.
- LED Task Lighting illuminates sockets, ports and drum for easier and safer nighttime operation.
- Hand built in Portland, Oregon, USA.

EXP 12 Synthetic

We are Expedition Grade: introducing the Superwinch EXP Series the world's most advanced winch ever created. Don't let the good looks fool you, there's a raging beast of a winch under the hood. Faster line speeds, lower amp draw plus 100' of rope and we're just getting started.



Standout Features	
Motor	Series Wound
Electrical Controls	Expedition Grade potted solenoid/contactor
Remote Control	12' wired remote plus wireless ready
Auto-Off	Momentary button wakes winch/enters service mode
Geartrain	3-Stage Planetary
Gear Ratio	154:1
Clutch	Auto-Engage Manual twist - Patent Pending
Brake	Custom Load-holding disc brake on gearbox end
Battery Leads	96 in (2.4m) x 2 gauge
Task Lighting	Remote and Auxiliary Power Sockets and Drum
# of Fused Power Ports	2 (left side and on rear of winch)
Accessory Mounting	Mil spec Picatinny Rails
Finish	Exclusive Chromate Bath Powder Coating
Mounting Bolt Pattern	10 in x 4.5 in

Superwinch EXP Specs				
Model	Rope	Length	Diameter	Fairlead/Hawse
EXPi 12S	Synthetic	100 ft	3/8 in	Hawse
EXP 12S	Synthetic	100 ft	3/8 in	Hawse

EXP 12,000 (All Models)			
LOAD	AMPS	LINE SPEED	
0	74	44	
2000	165	22.5	
4000	230	16.5	
6000	315	13	
8000	380	10.5	
10000	460	8	
12000	530	6	

Load (Thousands)	Line Speed (Feet Per Minute)	Amps (AMP Draw)
0	44	74
2	22.5	165
4	16.5	230
6	13	315
8	10.5	380
10	8	460
12	6	530

*See page 11 for dimensional line drawings.

EXP 12 Wire

Superwinch built two versions, a centered (or integrated) design and a non-integrated as a difficult-to-fit installation solution. The first winch of its kind featuring time-saving auto-engage clutch, waterproof electronics, auto off wireless to protect your battery and so much more.



Standout Features	
Motor	Series Wound
Electrical Controls	Expedition Grade potted solenoid/contacter
Remote Control	12' wired remote plus wireless ready
Auto-Off	Momentary button wakes winch/enters service mode
Geartrain	3-Stage Planetary
Gear Ratio	154:1
Clutch	Auto-Engage Manual twist - Patent Pending
Brake	Custom Load-holding disc brake on gearbox end
Battery Leads	96 in (2.4m) x 2 gauge
Task Lighting	Remote and Auxiliary Power Sockets and Drum
# of Fused Power Ports	2 (left side and on rear of winch)
Accessory Mounting	Mil spec Picatinny Rails
Finish	Exclusive Chromate Bath Powder Coating
Mounting Bolt Pattern	10 in x 4.5 in

Superwinch EXP Specs				
Model	Rope	Length	Diameter	Fairlead/Hawse
EXPI 12	Wire	100 ft	3/8 in	Fairlead
EXP 12	Wire	100 ft	3/8 in	Fairlead

EXP 12,000 (All Models)			
LOAD	AMPS	LINE SPEED	
0	74	44	
2000	165	22.5	
4000	230	16.5	
6000	315	13	
8000	380	10.5	
10000	460	8	
12000	530	6	

*See page 11 for dimensional line drawings.

EXP 10 Synthetic

Meet the future of winching – aluminum housing, potted electronics, high-torque motors and advanced gearing with Auto-Engage – there’s a lot to love in the new Superwinch EXP Series, handmade in Tualatin, Oregon.



Standout Features

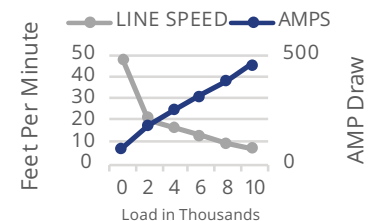
Motor	Series Wound
Electrical Controls	Expedition Grade potted solenoid/contactor
Remote Control	12' wired remote plus wireless ready
Auto-Off	Momentary button wakes winch/enters service mode
Geartrain	3-Stage Planetary
Gear Ratio	154:1
Clutch	Auto-Engage Manual twist - Patent Pending
Brake	Custom Load-holding disc brake on gearbox end
Battery Leads	96 in (2.4m) x 2 gauge
Task Lighting	Remote and Auxiliary Power Sockets and Drum
# of Fused Power Ports	2 (left side and on rear of winch)
Accessory Mounting	Mil spec Picatinny Rails
Finish	Exclusive Chromate Bath Powder Coating
Mounting Bolt Pattern	10 in x 4.5 in

Superwinch EXP Specs

Model	Rope	Length	Diameter	Fairlead/Hawse
EXPI 10S	Synthetic	100 ft	3/8 in	Hawse
EXP 10S	Synthetic	100 ft	3/8 in	Hawse

EXP 10,000 (All Models)

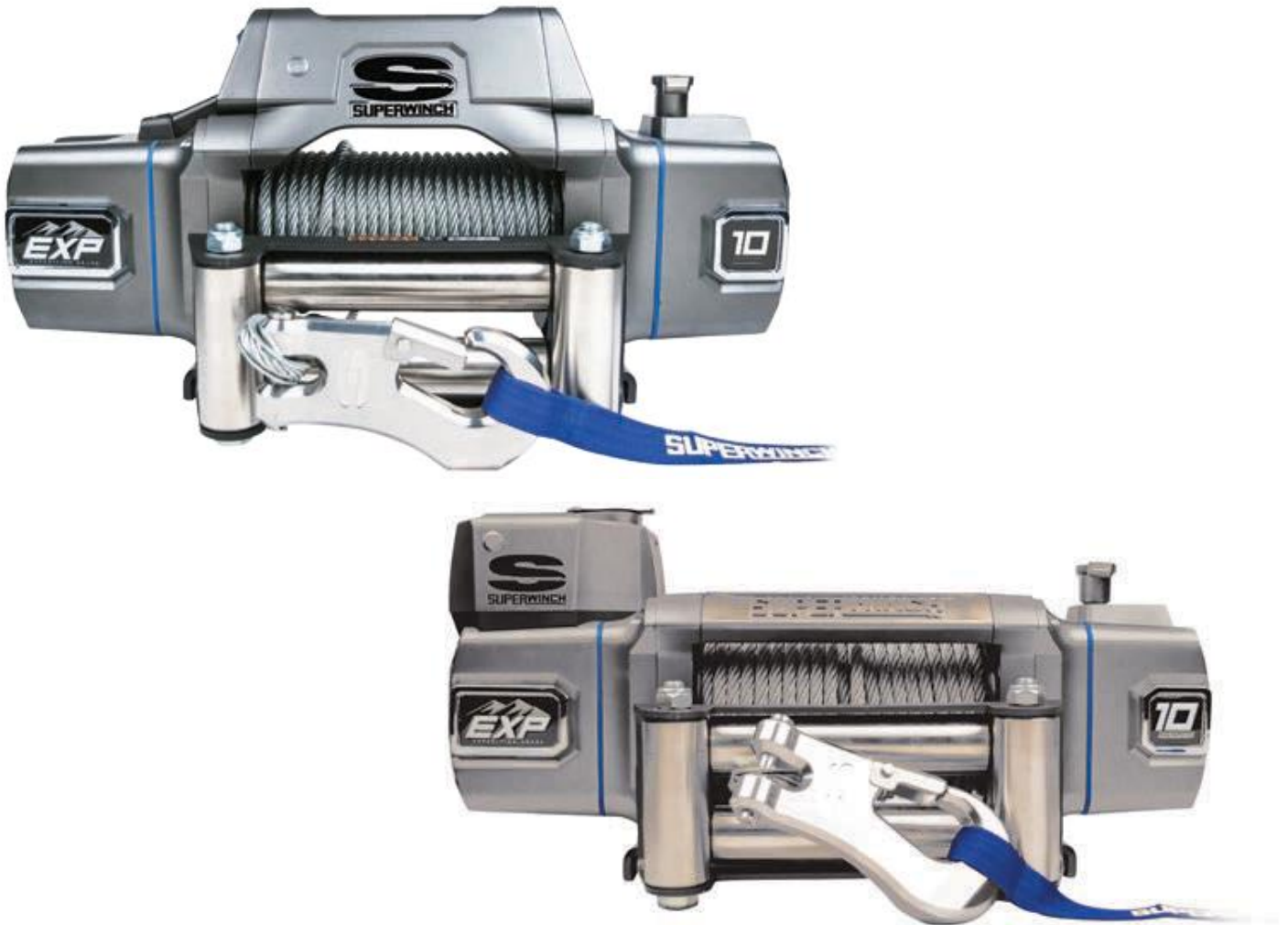
LOAD	AMPS	LINE SPEED
0	72	47
2000	175	20
4000	250	16
6000	315	12
8000	380	9
10000	460	6.5



*See page 11 for dimensional line drawings.

EXP 10 Wire

Superwinch's wire rope options allow users to run trusted cable with the option to run synthetic rope down the line thanks to reinforced drums and a brake outside the gearbox.



Standout Features	
Motor	Series Wound
Electrical Controls	Expedition Grade potted solenoid/contactor
Remote Control	12' wired remote plus wireless ready
Auto-Off	Momentary button wakes winch/enters service mode
Geartrain	3-Stage Planetary
Gear Ratio	154:1
Clutch	Auto-Engage Manual twist - Patent Pending
Brake	Custom Load-holding disc brake on gearbox end
Battery Leads	96 in (2.4m) x 2 gauge
Task Lighting	Remote and Auxiliary Power Sockets and Drum
# of Fused Power Ports	2 (left side and on rear of winch)
Accessory Mounting	Mil spec Picatinny Rails
Finish	Exclusive Chromate Bath Powder Coating
Mounting Bolt Pattern	10 in x 4.5 in

Superwinch EXP Specs				
Model	Rope	Length	Diameter	Fairlead/Hawse
EXPi 10	Wire	100 ft	3/8 in	Fairlead
EXP 10	Wire	100 ft	3/8 in	Fairlead

EXP 10,000 (All Models)			
LOAD	AMPS	LINE SPEED	
0	72	47	
2000	175	20	
4000	250	16	
6000	315	12	
8000	380	9	
10000	460	6.5	

*See page 11 for dimensional line drawings.

EXP 8 Synthetic

The ultimate in lightweight performance winching! The EXP 8 features an 8,000 pound capacity in a monster of a machine built in our new factory in Tualatin, Oregon. Smarter electronics, faster line speed and sealed to the best in industry standards.



Standout Features	
Motor	Series Wound
Electrical Controls	Expedition Grade potted solenoid/contactor
Remote Control	12' wired remote plus wireless ready
Auto-Off	Momentary button wakes winch/enters service mode
Geartrain	3-Stage Planetary
Gear Ratio	154:1
Clutch	Auto-Engage Manual twist - Patent Pending
Brake	Custom Load-holding disc brake on gearbox end
Battery Leads	96 in (2.4m) x 2 gauge
Task Lighting	Remote and Auxiliary Power Sockets and Drum
# of Fused Power Ports	2 (left side and on rear of winch)
Accessory Mounting	Mil spec Picatinny Rails
Finish	Exclusive Chromate Bath Powder Coating
Mounting Bolt Pattern	10 in x 4.5 in

Superwinch EXP Specs				
Model	Rope	Length	Diameter	Fairlead/Hawse
EXPI 8S	Synthetic	100 ft	5/16 in	Hawse
EXP 8S	Synthetic	100 ft	5/16 in	Hawse

EXP 8,000 (All Models)				
LOAD	AMPS	LINE SPEED		
0	74	46		
2000	170	21.5		
4000	240	15.5		
6000	320	11		
8000	400	8.75		

*See page 11 for dimensional line drawings.

EXP 8 Wire

Superwinch combines advanced electronics, convenient auto-engage clutch and beefy construction to insure your EXP is up to the challenge.



Standout Features	
Motor	Series Wound
Electrical Controls	Expedition Grade potted solenoid/contactor
Remote Control	12' wired remote plus wireless ready
Auto-Off	Momentary button wakes winch/enters service mode
Geartrain	3-Stage Planetary
Gear Ratio	154:1
Clutch	Auto-Engage Manual twist - Patent Pending
Brake	Custom Load-holding disc brake on gearbox end
Battery Leads	96 in (2.4m) x 2 gauge
Task Lighting	Remote and Auxiliary Power Sockets and Drum
# of Fused Power Ports	2 (left side and on rear of winch)
Accessory Mounting	Mil spec Picatinny Rails
Finish	Exclusive Chromate Bath Powder Coating
Mounting Bolt Pattern	10 in x 4.5 in

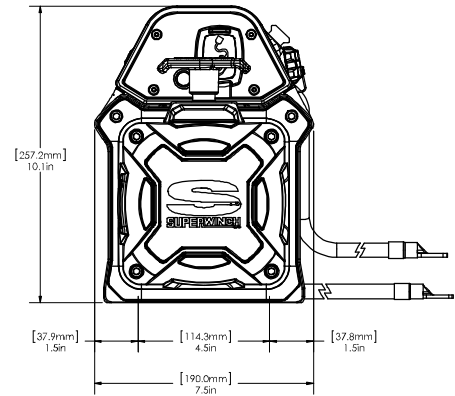
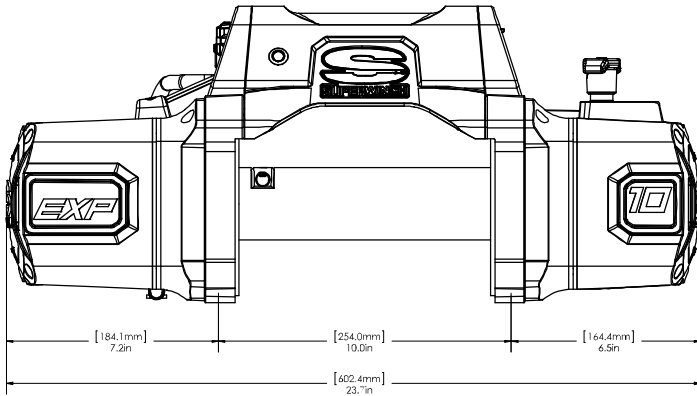
Superwinch EXP Specs				
Model	Rope	Length	Diameter	Fairlead/Hawse
EXPi 8	Wire	100 ft	5/16 in	Fairlead
EXP 8	Wire	100 ft	5/16 in	Fairlead

EXP 8,000 (All Models)					
LOAD	AMPS	LINE SPEED			
0	74	46	46	0	0
2000	170	21.5	21.5	170	170
4000	240	15.5	15.5	240	240
6000	320	11	11	320	320
8000	400	8.75	8.75	400	400

*See page 11 for dimensional line drawings.

EXP Dimensions

EXP Integrated



EXP Non-Integrated

